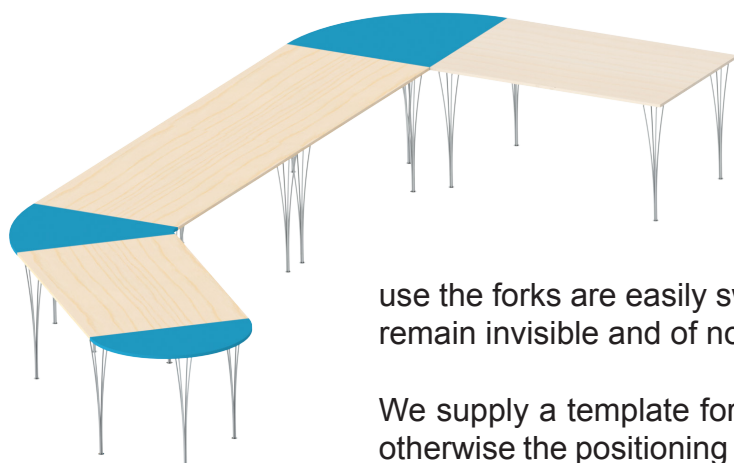


Click Catch Innovative patented solution for connecting table and additional table leaves!



The connector consists of a male and female part – a revolving fork and a U-bracket.

Normally two sets of **CLICK CATCH** are mounted under separate table tops to connect a pair of tables by wedging the forks into the U-brackets. When not in use the forks are easily swivelled back under the table top, where they remain invisible and of no obstruction to knees!

We supply a template for the correct location of fastening screws, but otherwise the positioning of the hardware is determined by the furniture manufacturer.

The hardware is manufactured from 3 mm har steel plate, bright zinc or yellow zinc plated. You can furthermore choose between 2 different lengths.

The standard model which is 153 mm long and a longer and even stronger model “XL” which is 201 mm.

The “XL”-model is especially popular for tables with chamfered plates.

We are also prepared to supply extra female parts of the **CLICK CATCH** in case clients want to offer their desks with more than one attachment position.

Originally the **CLICK CATCH** was created for connecting tables, but also modular chairs can be joined into sofas - and single beds into double beds - simply by applying the **CLICK CATCH** !

CLICK CATCH

Material: 3mm Steel plate
Finish: Bright Zinc or Yellow Zinc Plated

CLICK CATCH standard version

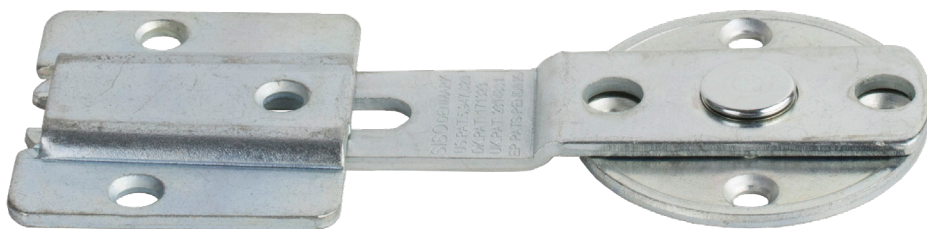
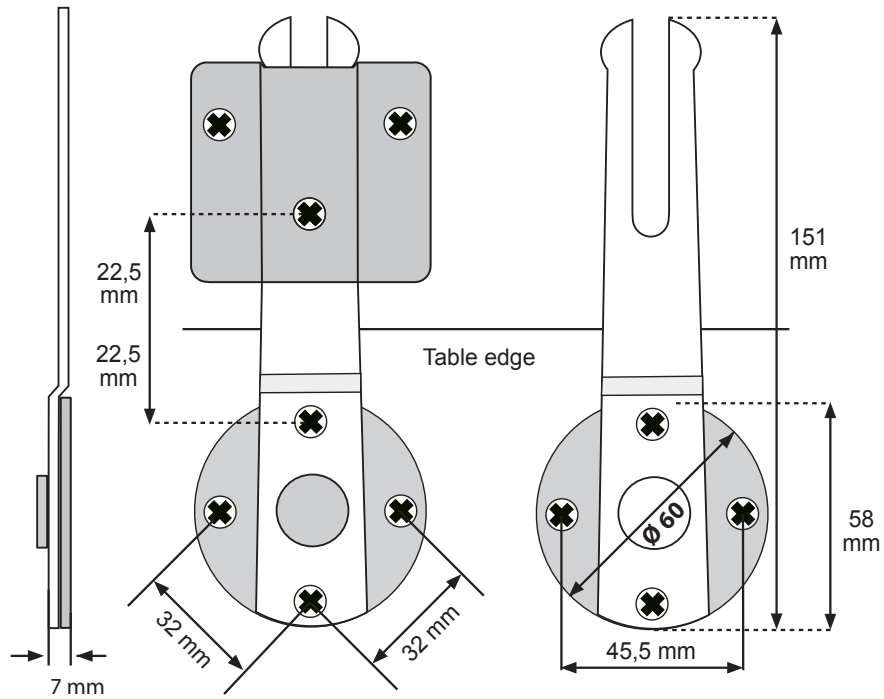
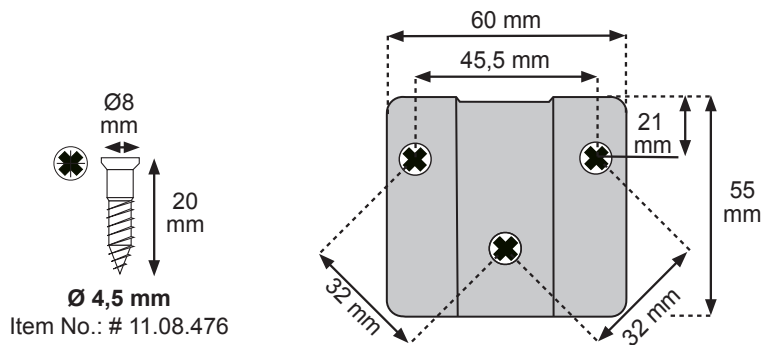
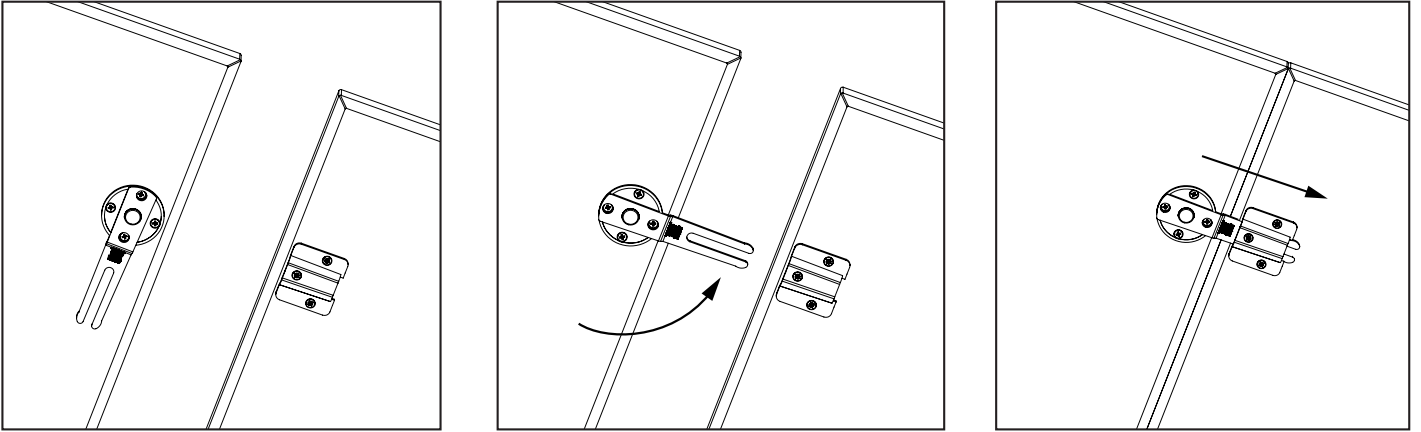
Bright Zinc Plated: # 24.03.140
Yellow Zinc Plated: # 24.03.141

Female part only

Bright Zinc Plated: # 24.03.130
Yellow Zinc Plated: # 24.03.131

Patents:
US 5,947,628
DK 171823
UK 2314881
DE 19681404
EP patent

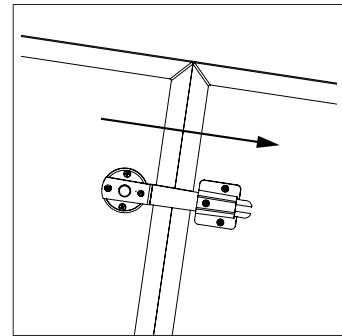
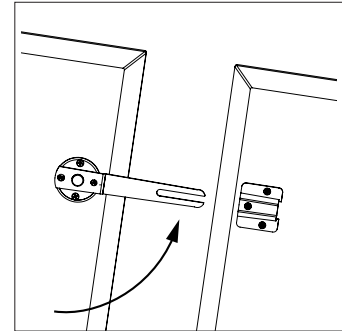
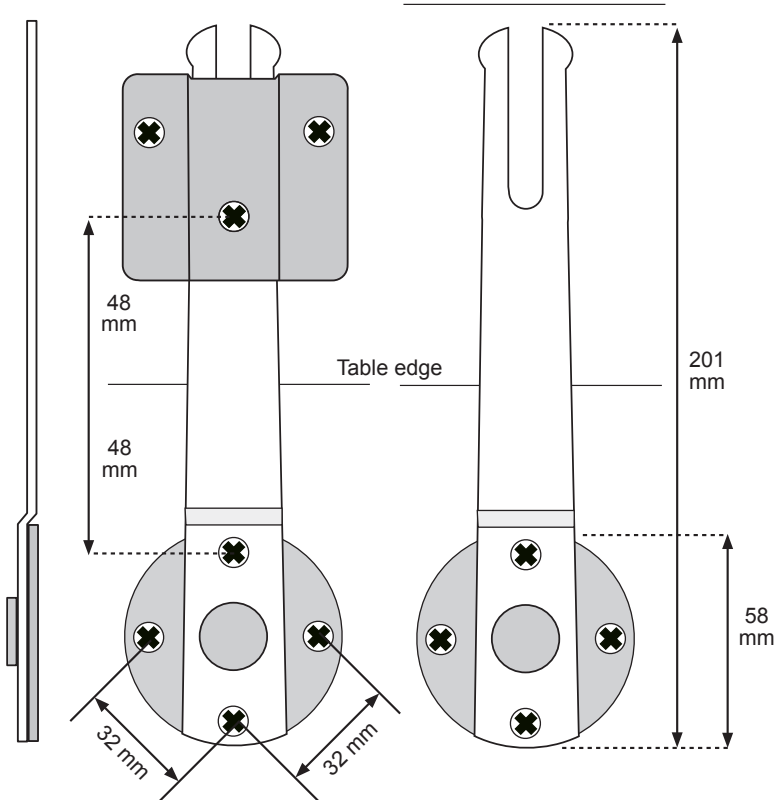
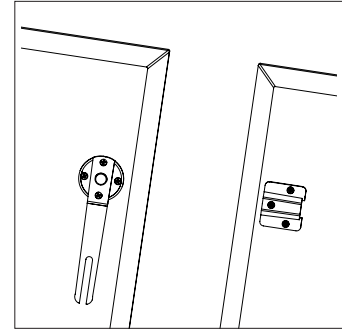
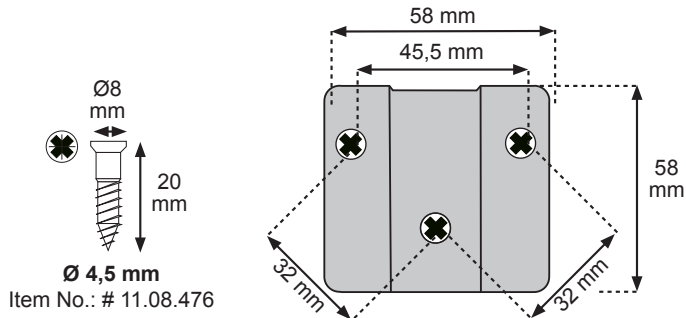
CLICK CATCH



CLICK CATCH »XL«

- high quality furniture fittings

SISO
DENMARK



CLICK CATCH »XL« Ideal for Tables with chamfered Plates

Material: 3 mm steel plate
Finish: Bright Zinc

Patents: US 5,947,628 DK 171823
UK 2314881 DE 19681404
EP patent

CLICK CATCH »XL« - version

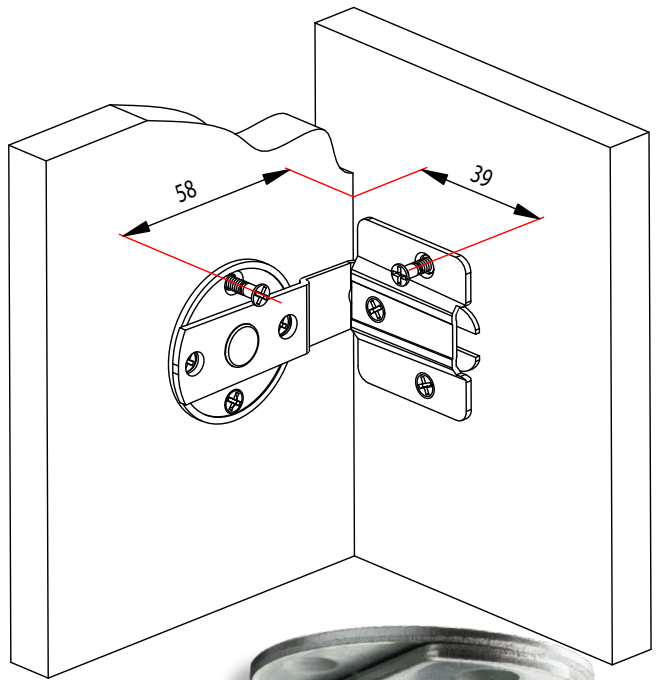
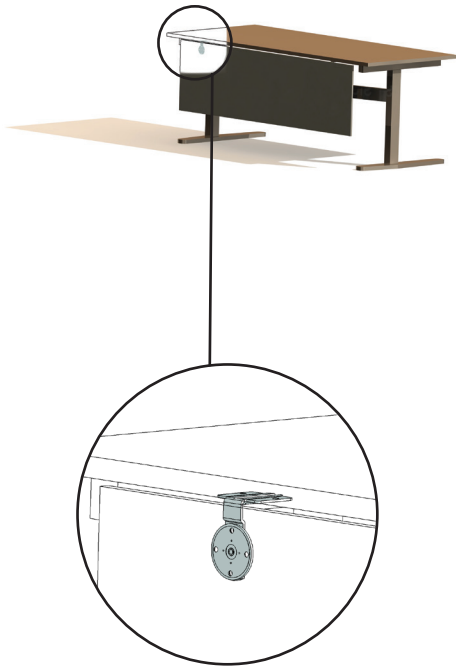
Bright Zinc Plated: # 24.03.145

Design: Jesper Møller Hansen

Female part only

Bright Zinc Plated: # 24.03.130

CLICK CATCH 90 DEGREE



CLICK CATCH 90 DEGREE

Material: 3 mm Steel plate
 Finish: Bright zinc plated
 Item No.: 24.03.147



PATENTS

US 5,947,628
 DK 171823
 UK 2314881
 DE 19681404
 EP PATENT

